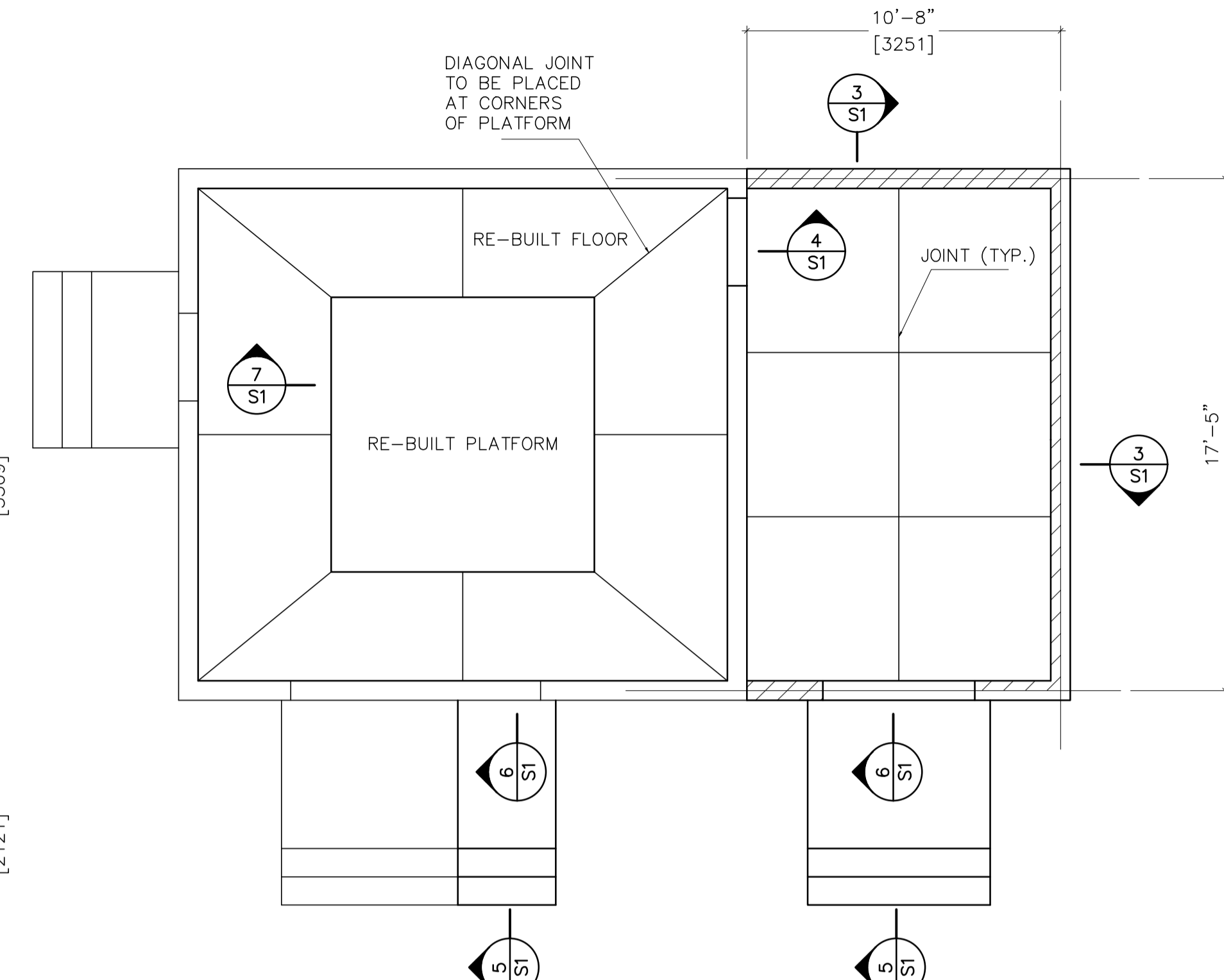
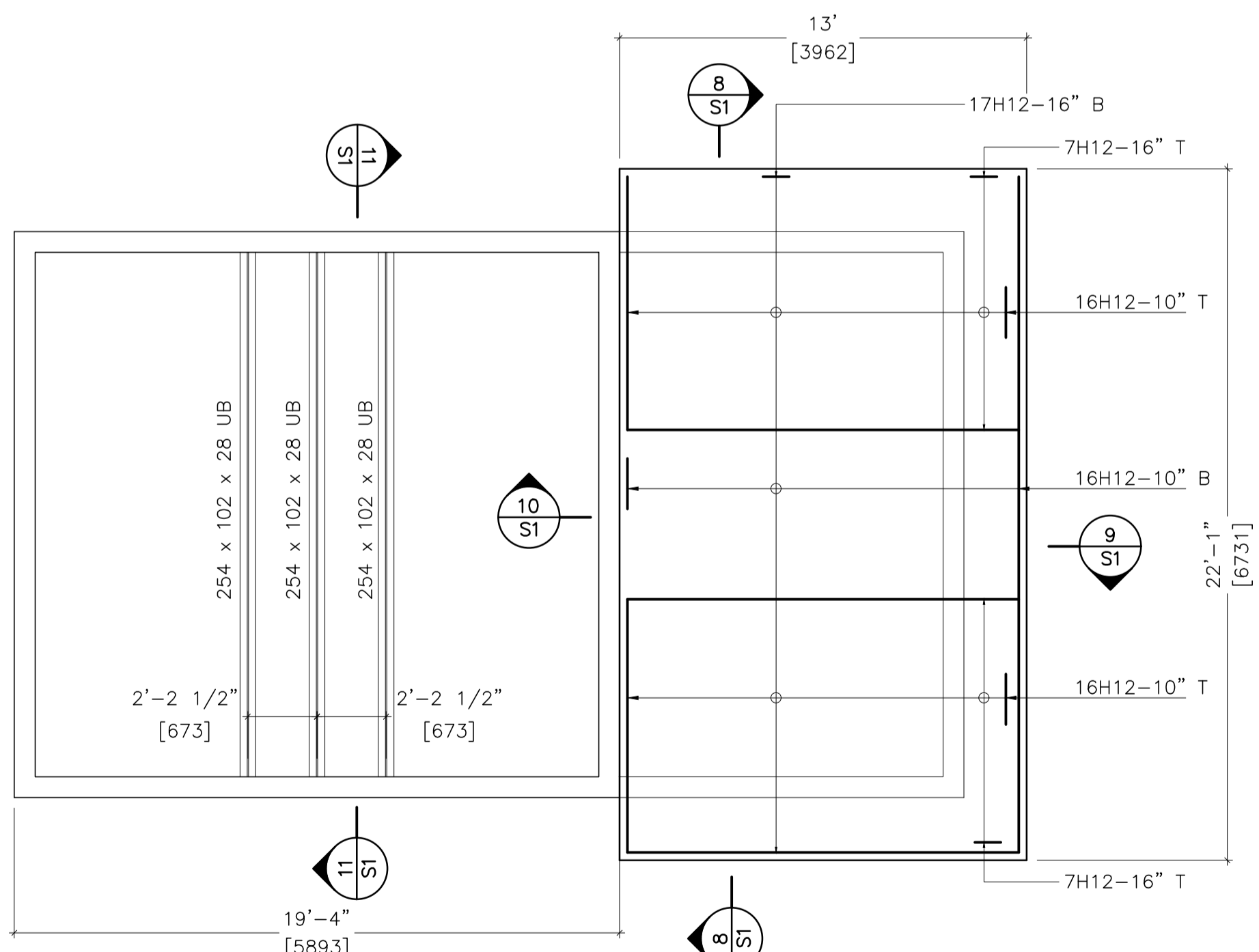


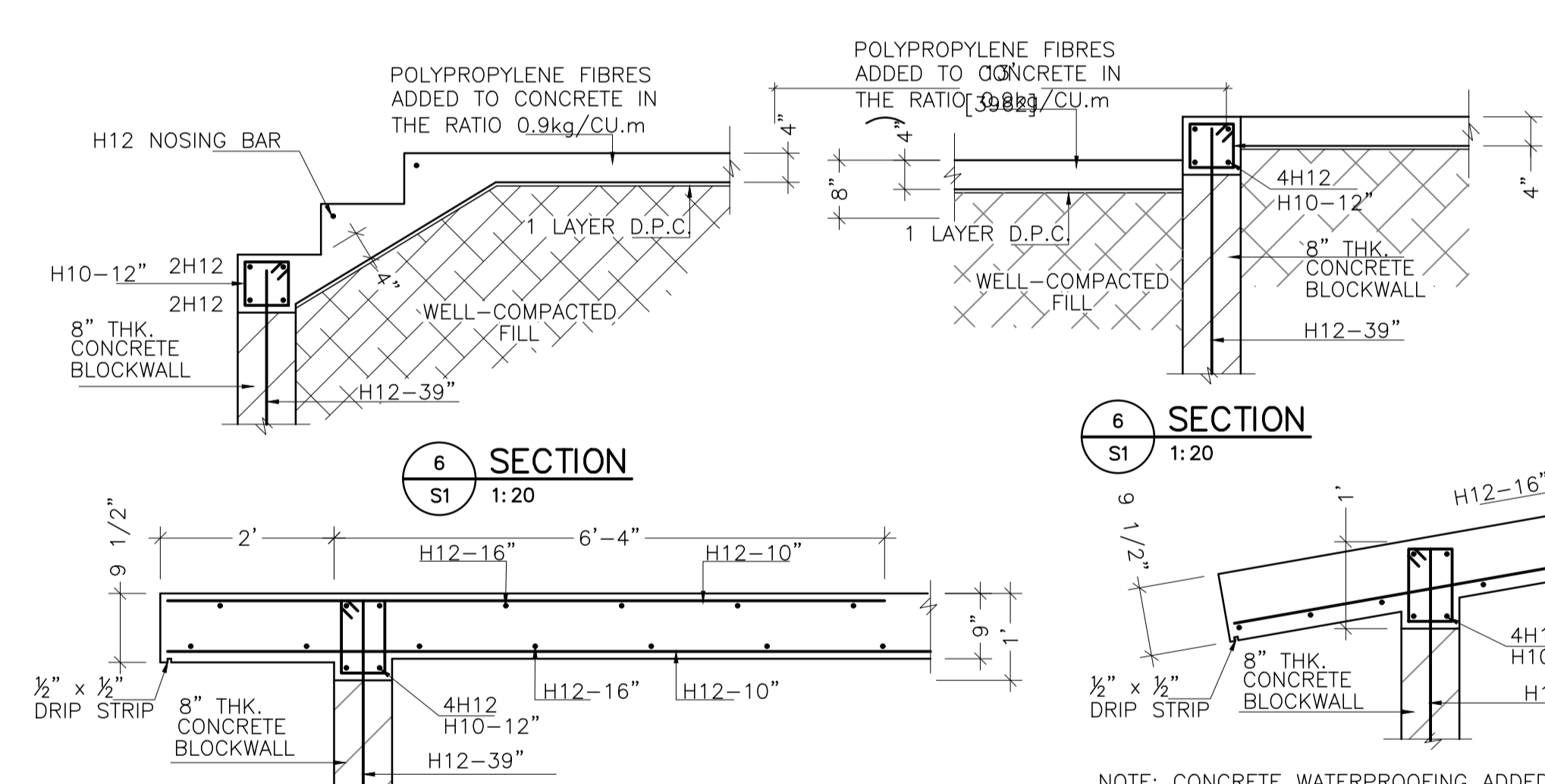
FOUNDATION PLAN
SCALE 1:50



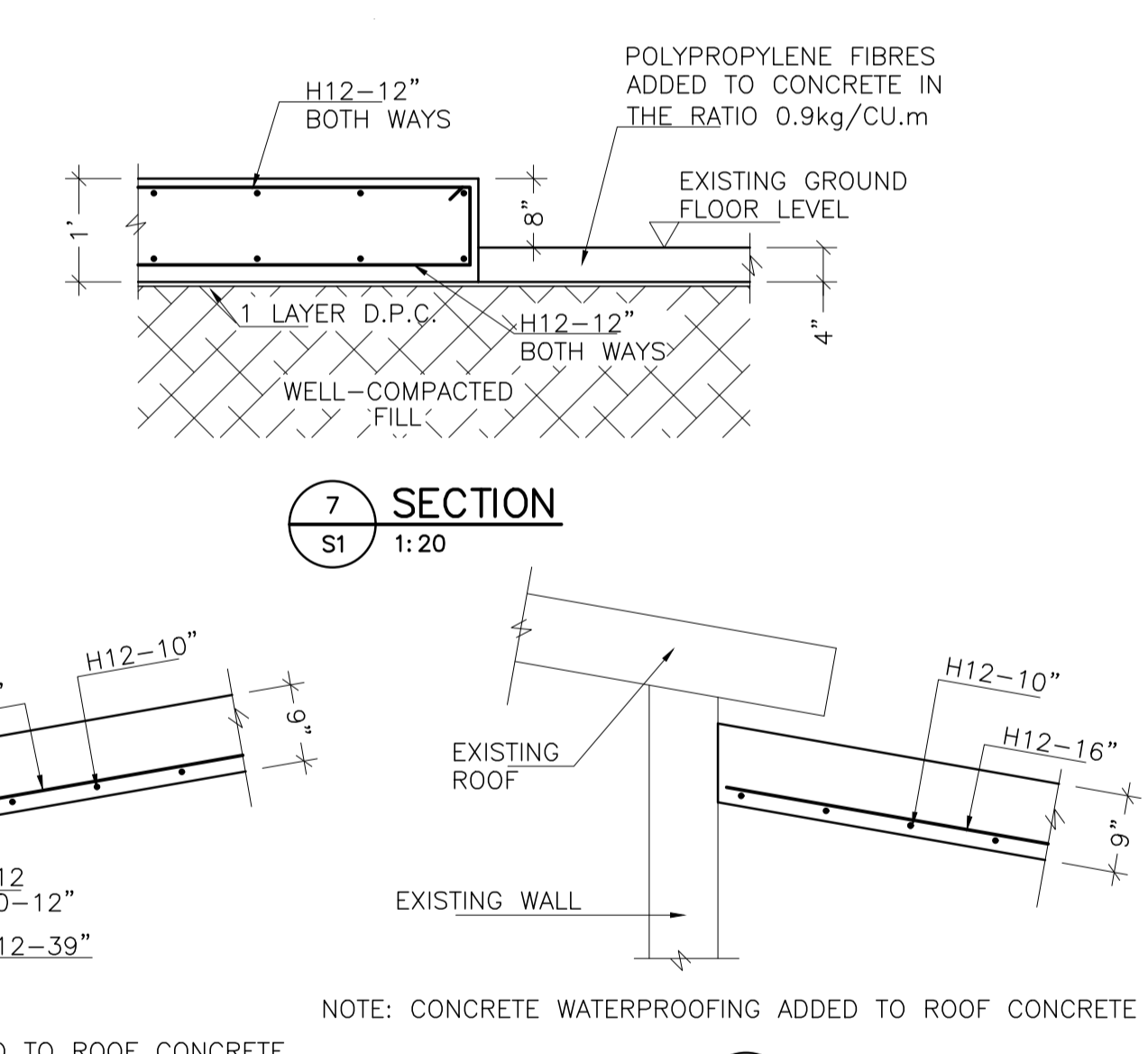
STRUCTURAL GROUND FLOOR PLAN
SCALE 1:50



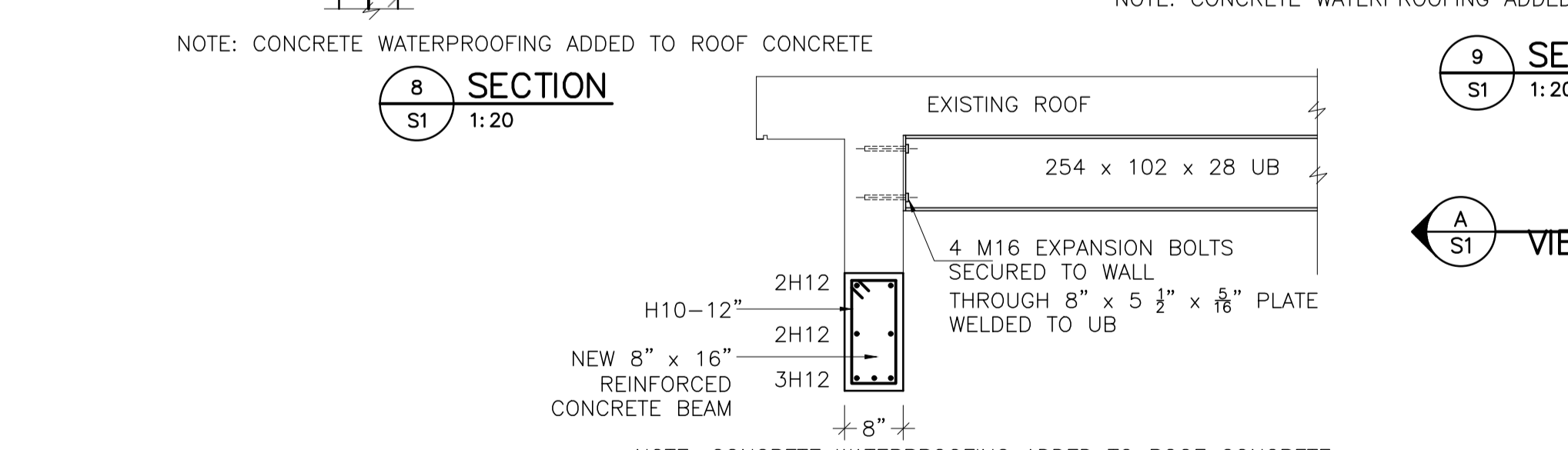
STRUCTURAL ROOF PLAN
SCALE 1:50



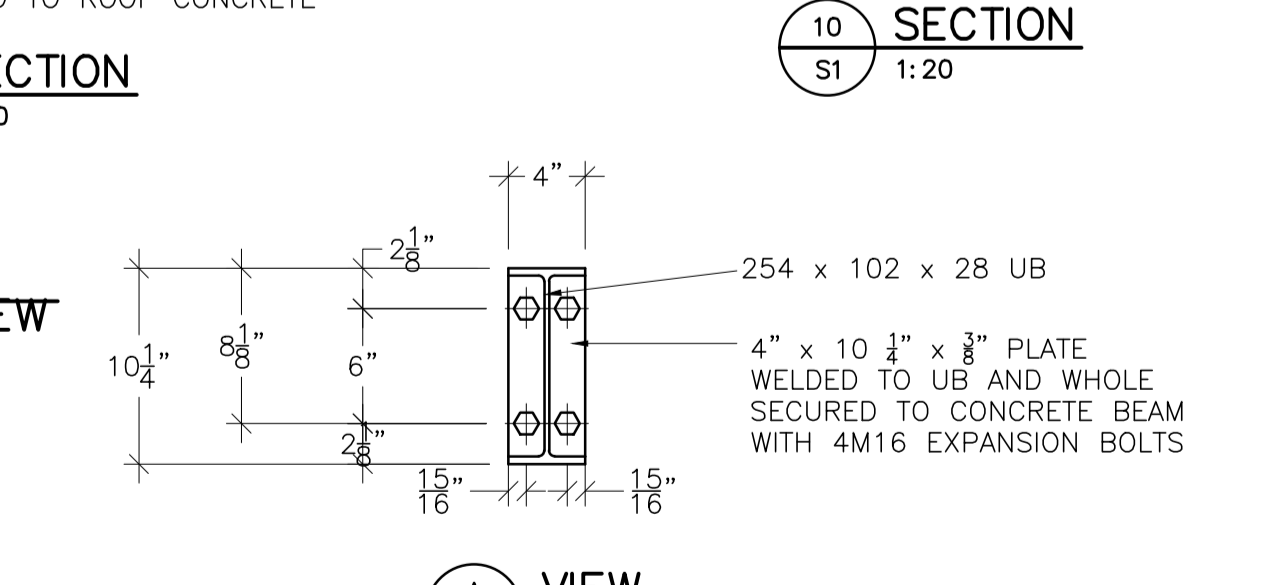
SECTION 6
S1 1:20



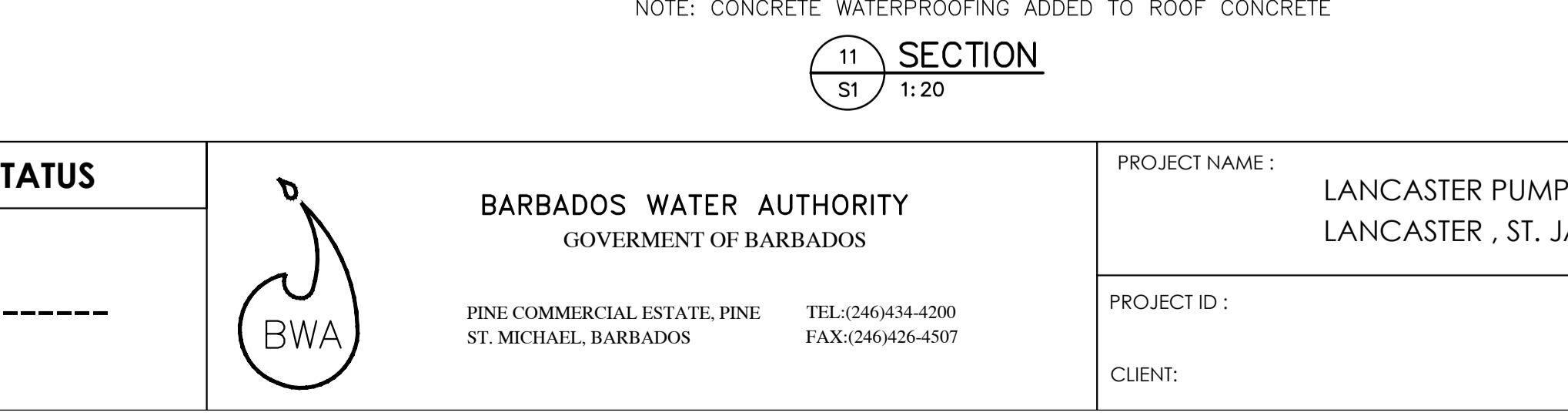
SECTION 7
S1 1:20



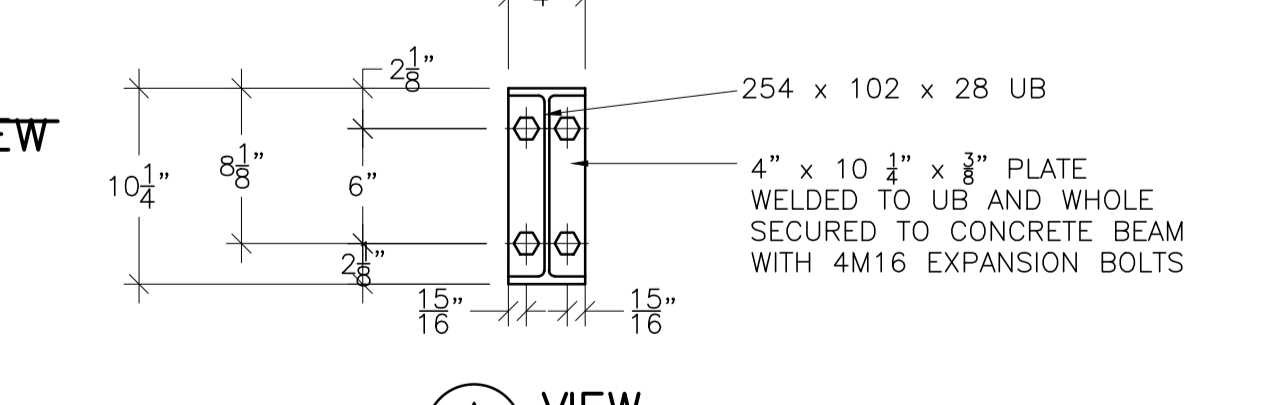
SECTION 8
S1 1:20



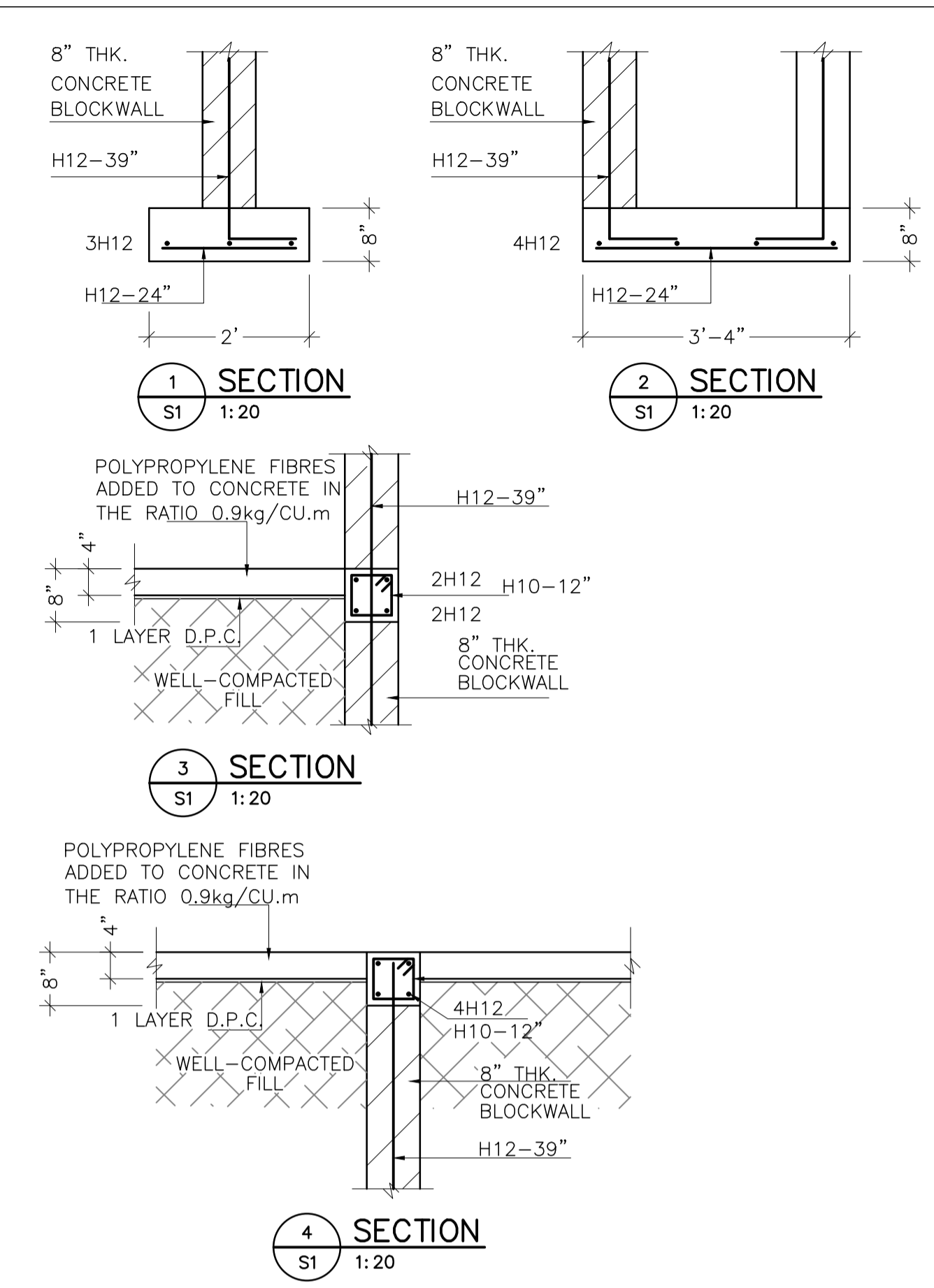
SECTION 9
S1 1:20



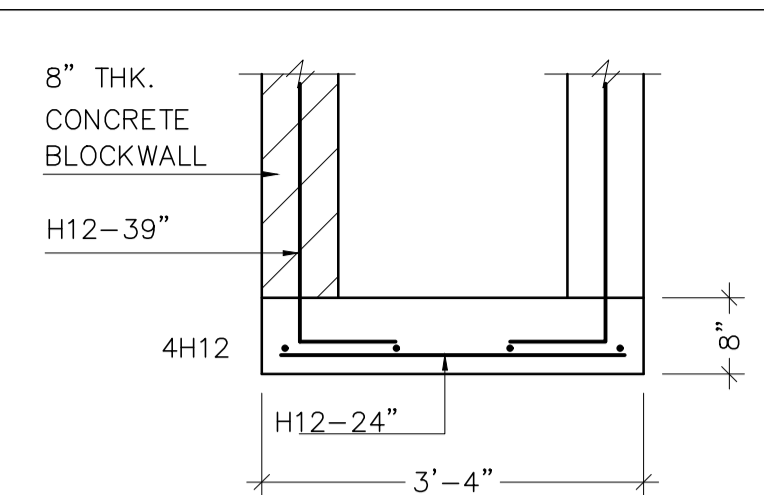
SECTION 11
S1 1:20



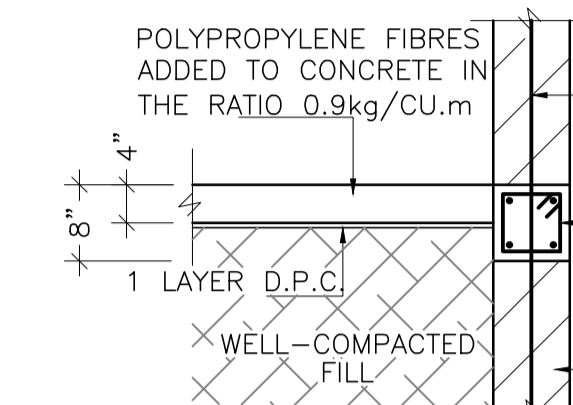
VIEW A
S1 1:10



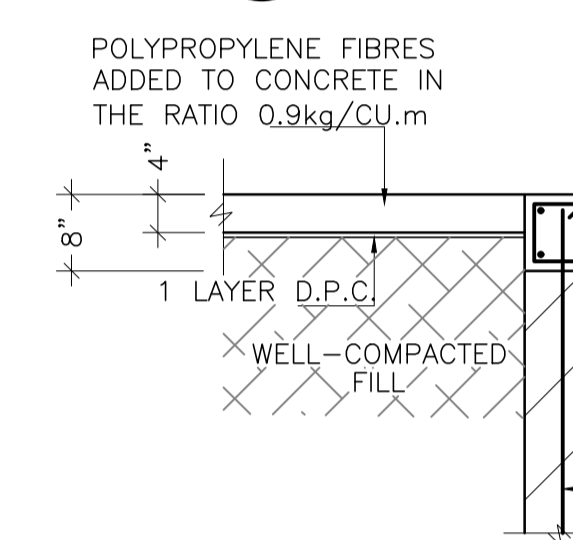
SECTION 1
S1 1:20



SECTION 2
S1 1:20



SECTION 3
S1 1:20



SECTION 4
S1 1:20

SITE LOCATION

DRAFTING NOTES

1. THIS DRAWING IS THE COPYRIGHT OF THE BARBADOS WATER AUTHORITY AND MUST NOT BE RETAINED, COPIED OR USED WITHOUT THE ABOVE COMPANY'S AUTHORITY.
2. ALL DIMENSIONS ARE IN METERS UNLESS NOTED OTHERWISE.

TECHNICAL NOTES

1. THIS DRAWING IS TO BE READ IN CONJUNCTION WITH ALL OTHER RELEVANT PROFESSIONAL DRAWINGS.
2. MINIMUM COVER TO REINFORCING STIRRUPS BELOW GRADE TO BE 2" AND MINIMUM COVER ABOVE GRADE TO BE 1" UNLESS NOTED OTHERWISE.
3. CONCRETE TO BE GRADE 25 TO CRUSH AT 20MPa AT 7 DAYS AND 25MPa AT 28 DAYS.
4. ALL REINFORCING STEEL TO BE HIGH TENSILE STEEL TO BS 4449

LEGEND

REV	DESCRIPTION	DATE	DRAWN BY	STATUS
0	ISSUED FOR REVIEW	10 NOVEMBER 2020	RG	
1	ISSUED FOR TENDER	16 MARCH 2021	RG	

BARBADOS WATER AUTHORITY
GOVERNMENT OF BARBADOS

PINE COMMERCIAL ESTATE, PINE ST. MICHAEL, BARBADOS TEL: (246) 434-4200 FAX: (246) 426-4507

PROJECT NAME: LANCASTER PUMPING STATION UPGRADE & EXPANSION
LANCASTER, ST. JAMES

PROJECT ID:

CLIENT:

SHEET NAME: STRUCTURAL PLANS & DETAILS

DESIGNED BY:
DRAWN BY:
REVIEWED BY:

DATE: 16 MARCH 2021
SHEET: S1